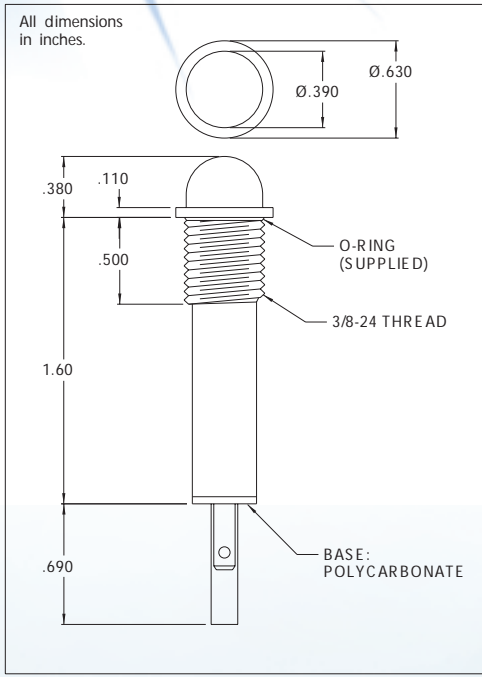


**6010QM, 6011QM, 6012QM, 6013QM and 6091QM Series Oil-Tight Non-Relampable Neon-LED Indicator Lights**

**DESCRIPTION AND FEATURES**



Solid-state indicator lights complete with built-in current-limiting resistor and rectifier diode.

Meets NEMA Class 13

Mounting: Ø.380 min. hole. Supplied with internal tooth lock washer and hex nut. Mounting hole pattern on page SP2.

Lens: Polycarbonate

Terminals: Quick-connect, tinned brass .187 .020.

Bezel: Polished stainless steel. For black finish add "X" after the series letter(s).

Gaskets: Buna-N

Housing: Black Nylon

| Lens Color | Incandescent           |                        |
|------------|------------------------|------------------------|
|            | Model No. (105-125VAC) | Model No. (208-250VAC) |
| Red        | 6010QM1                | 6011QM1                |
| Amber      | 6010QM3                | 6011QM3                |
| Green      | 6012QM5*               | 6013QM5*               |
| Lamp used  | C2A+Resistor           | C2A+Resistor           |

| Lens Color               | LED Solid State Indicator |                   |                  |
|--------------------------|---------------------------|-------------------|------------------|
|                          | Model No. for 12V         | Model No. for 24V | Incorporates LED |
| Red                      | 6091QM1-12V               | 6091QM1-24V       | 4304H1           |
| Green                    | 6091QM5-12V               | 6091QM5-24V       | 4304H5           |
| Yellow                   | 6091QM7-12V               | 6091QM7-24V       | 4304H7           |
| Internal Resistor (ohms) | 390                       | 1000              | -                |

\* Incorporates G2B lamp and resistor. Underwriters Laboratories (UL) File No. E20325 Canadian Standards Association (CSA) File No. LR13346

Note: Also incorporates IN4004 (400 P.I.V.) rectifier diode. Red lead positive.